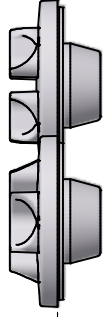
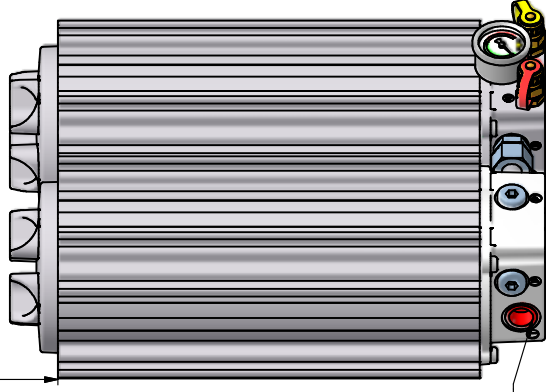


MODEL ( 1 : 4 )

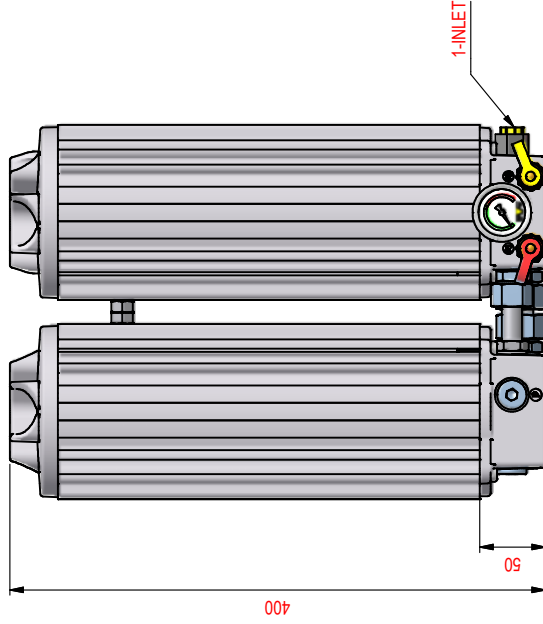


MINIMUM CLEARANCE  
FOR ELEMENT REMOVAL

400mm



2-OUTLET



50

1-INLET

400

Pos	Qty	Description	Material	Remarks
2	2	OUTLET	G1/2" - BSP	Female
1	1	INLET	G1/4" - BSP	Female
			Size	

		Website : WWW.RMFFILTER.COM	
Designed by	M.W.	Revision	Date
Designed date	21-3-2008	DOCUMENT TITLE	
Design state	WorkInProgress	RMF FILTERUNIT BPU2A30HB000	
Checked by		RMF-BY PASS UNIT	
Checked date		ARTICLE NUMBER	DRAWING NUMBER
PROJECTION		9317523	A3--9-294-12092
	DIMENSIONAL TOLERANCE ACCORDING TO ISO 2768H / NEN 2285	REVISION	
	SCALE : 1:1		

F

E

D

C

B

A

F

E

D

C

B

A

1 2 3 4 5 6 7 8