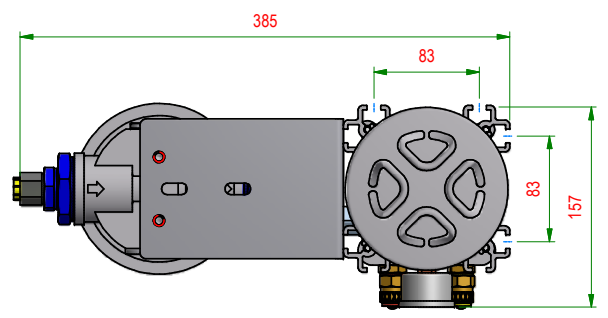
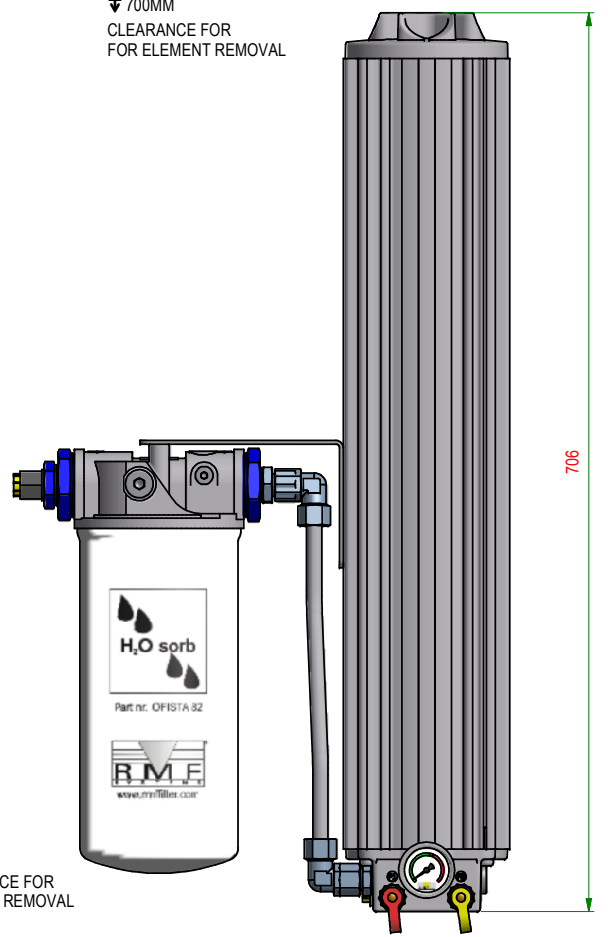


DEZE TEKENING IS EIGENDOM VAN DOEJANUS VAN NIEBERG, AND, VERMENNIGVULDINGEN, OF MEDEDELING VAN DERDEN, IN WELKE VORM OOK, IS ZONDER SCHRIJFTELIJKE TOESTEMMING NIET GEOPLOOFT. THIS DRAWING IS THE PROPERTY OF DOEJANUS VAN NIEBERG AND, REPRODUCTION OR DISCLOSURE TO THIRD PARTIES, IN ANY FORM WHATSOEVER, IS NOT ALLOWED WITHOUT WRITTEN CONSENT OF THE PROPRIETORS.

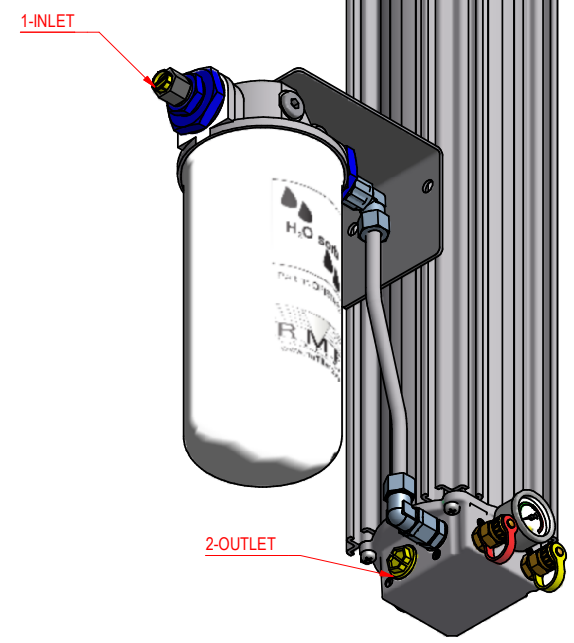
SURFACE ROUGHNESS ACCORDING TO NEN3634
 FORM AND PLACE TOLERANTIES ACCORDING TO NEN3310 AND 3311



▽ 700MM
 CLEARANCE FOR
 FOR ELEMENT REMOVAL



▽ 40MM
 CLEARANCE FOR
 ELEMENT REMOVAL



Pos	Qty	Description	Size	Material	Remarks
2	1	Outlet	G1/2" - Bsp		Female
1	1	Inlet	G1/4" - Bsp		Female

 Website : WWW.RMFFILTER.COM		Revision	Date	Description	Name
		DOCUMENT TITLE RMF BPUW1B30HB000A RMF BY-PASS FILTER WITH WATERSORB LEFT SIDE MOUNT			
Designed by	M.W.	ARTICLE NUMBER			
Designed date	26-4-2010	DRAWING NUMBER			
Design state	WorkInProgress	REVISION			
Checked by		9261235	A3--294-12593		
Checked date					
PROJECTION	DIMENSIONAL TOLERANCE ACCORDING TO ISO 2768MH / NEN 2365				
	SCALE : 1:1				