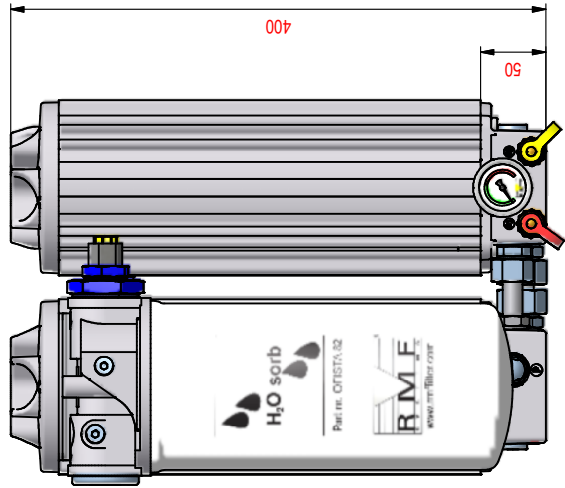
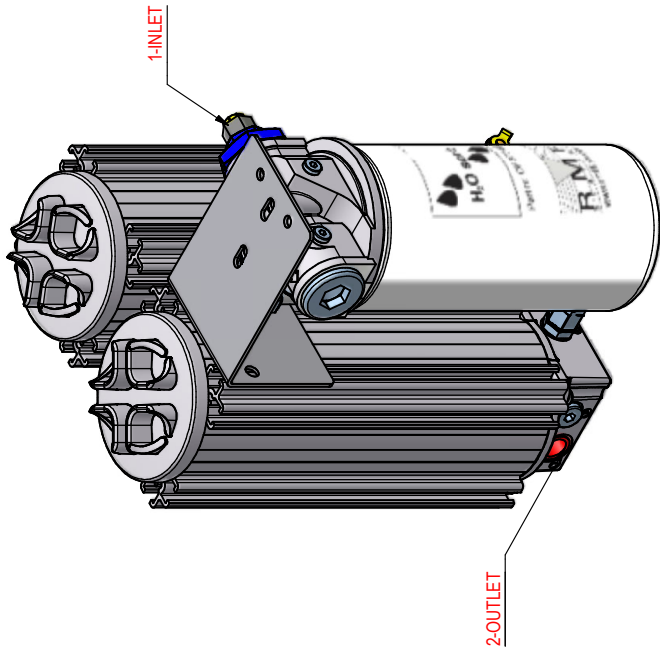


400MM
 MINIMUM CLEARANCE FOR ELEMENT REMOVAL



40MM
 CLEARANCE FOR ELEMENT REMOVAL

MODEL (1 : 4)



Pos	Qty	Description	Material	Remarks
2	2	OUTLET	G1/2" - BSP	Female
1	1	INLET	G1/4" - BSP	Female
			Size	

		Revision: _____ Date: _____ DOCUMENT TITLE RMF FILTERUNIT BPUW2A30HB000A RMF - BY PASS UNIT	
Website: WWW.RMFFILTER.COM Designed by: M.W. Designed date: 9-12-2008 Design state: WorkInProgress Checked by: _____ Checked date: _____		Name: _____ ARTICLE NUMBER DRAWING NUMBER A3--9-294-12302	
DIMENSIONAL TOLERANCE ACCORDING TO ISO 2768H / NEN 2285 SCALE: 1:1		REVISION	

