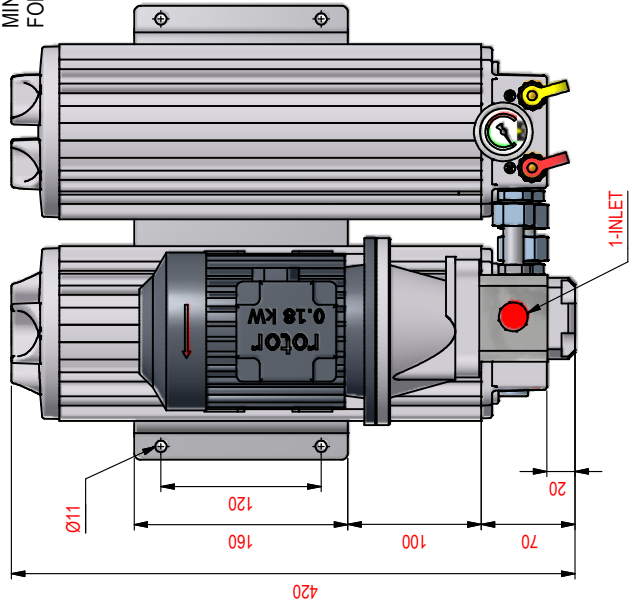
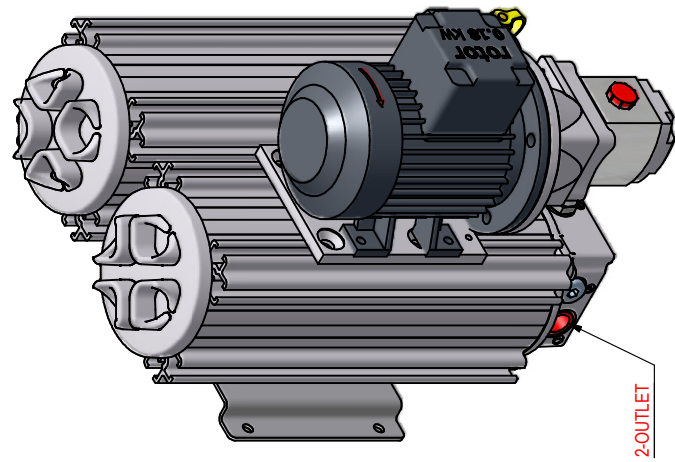


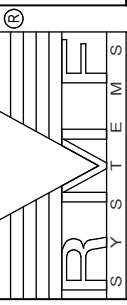
400MM
 MINIMUM CLEARANCE
 FOR ELEMENT REMOVAL



MODEL (1 : 4)



2	1	OUTLET	G1/2" - BSP	Female	
1	1	INLET	G3/8" - BSP	Female	
Pos	Qty	Description	Size	Material	Remarks



Website : WWW.RMFFILTER.COM
 Designed by M.W.
 Designed date 12-11-2008
 Design state WorkInProgress
 Checked by
 Checked date
 PROJECTION
 DIMENSIONAL TOLERANCE ACCORDING TO ISO 2768H / NEN 2285
 SCALE : 1:1

Revision	Date	Description	Name
DOCUMENT TITLE			
RMF OLU2A30HB01000			
RMF-OFF LINE UNIT			
ARTICLE NUMBER	DRAWING NUMBER	REVISION	
9317549	A3--9-294-12229		