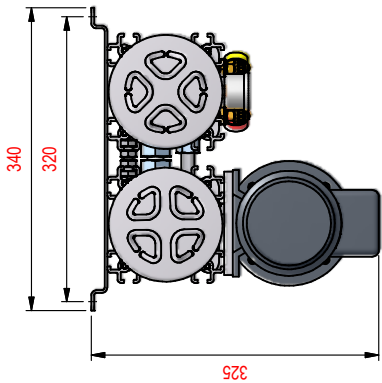
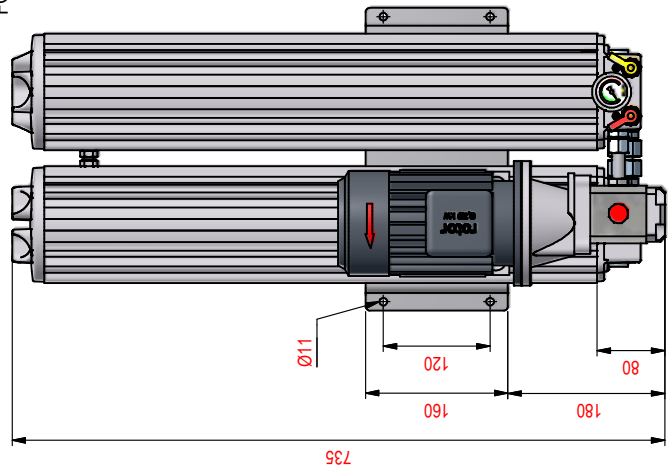


MODEL (1 : 6)



700MM
 MINIMUM CLEARANCE
 FOR ELEMENT REMOVAL



| Pos | Qty | Description | Size | Material | Remarks |
|-----|-----|-------------|-----------|----------|---------|
| 2 | 1 | OUTLET | G1/2"-BSP | | Female |
| 1 | 1 | INLET | G1/2"-BSP | | Female |

BRUNNEN
 S Y S T E M S
 Website : WWW.BRUNNEN.COM

Designed by M.W.
 Designed date 17-11-2008
 Design state WorkInProgress
 Checked by

Checked date

PROJECTION

SCALE : 1:1

REVISION

| | | | |
|----------------|------|--------------------|----------|
| Revision | Date | Description | Name |
| | | DOCUMENT TITLE | |
| | | RMF OLU2B30HB02000 | |
| | | RMF-OFF LINE UNIT | |
| ARTICLE NUMBER | | DRAWING NUMBER | REVISION |
| 9317550 | | A3--9-294-12159 | |

