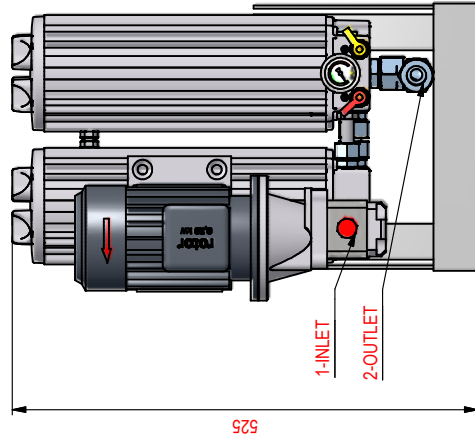
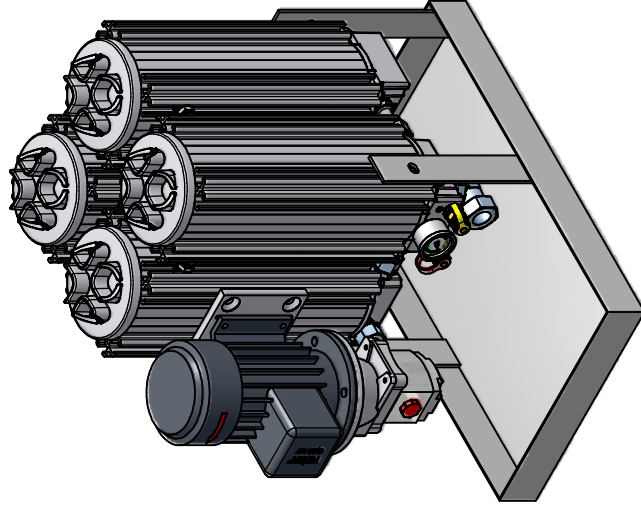
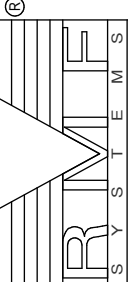


400MM  
 MINIMUM CLEARANCE  
 FOR ELEMENT REMOVAL



MODEL ( 1 : 6 )



|  |     |                 |                     |          |         |
|--|-----|-----------------|---------------------|----------|---------|
| 2  | 1   | OUTLET          | EW18L               | Male     |         |
| 1  | 1   | INLET           | G1/2" - BSP         | Female   |         |
| Pos  | Qty | Description     | Size                | Material | Remarks |
| <br>Website : WWW.RMF.FILTER.COM<br>Designed by M.W.<br>Designed date 17-11-2008<br>Design state WorkInProgress<br>Checked by<br>Checked date<br>PROJECTION<br>DIMENSIONAL TOLERANCE ACCORDING TO ISO 2768MH / NEN 2285<br>SCALE : 1:1 |     |                 |                     |          |         |
| Revision   |     | Date            | Description         |          |         |
|  |     |                 | DOCUMENT TITLE      |          |         |
|  |     |                 | RMF OLU4430HB02000  |          |         |
|  |     |                 | RMF - OFF LINE UNIT |          |         |
| ARTICLE NUMBER   |     | DRAWING NUMBER  |                     | REVISION |         |
| 9317564  |     | A3--9-294-12122 |                     |          |         |

