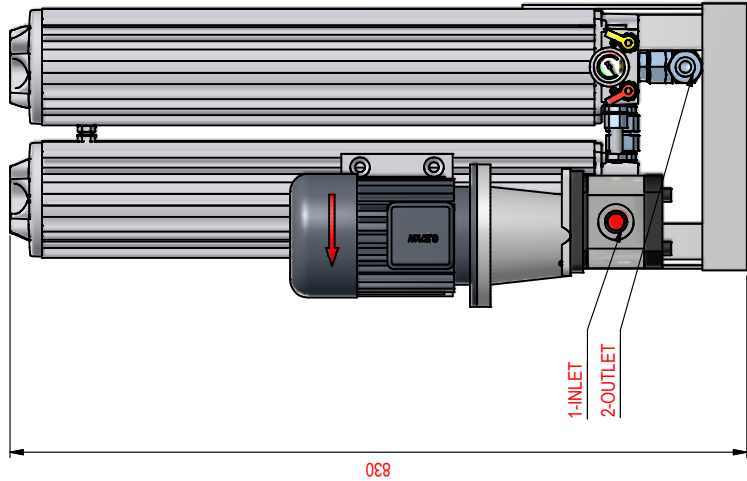
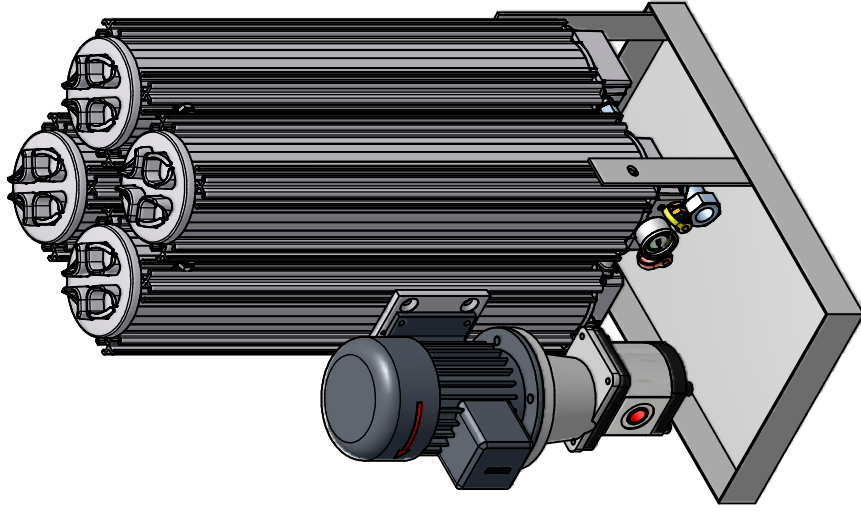


700MM
 MINIMUM CLEARANCE
 FOR ELEMENT REMOVAL



MODEL (1 : 6)



Pos	Qty	Description	Size	Material	Remarks
2	1	OUTLET	EW18L		Male
1	1	INLET	G3/4" - BSP		Female

		Website : WWW.RMFFILTER.COM	
Designed by M.W.		DOCUMENT TITLE	
Designed date 18-11-2008		RMF OLU4B30HB04000	
Design state WorkInProgress		RMF-OFF LINE UNIT	
Checked by		ARTICLE NUMBER	
Checked date		9317571	
PROJECTION		DRAWING NUMBER	
DIMENSIONAL TOLERANCE ACCORDING TO ISO 2768H / NEN 2285		A3--9-294-12160	
SCALE : 1:1		REVISION	

1-INLET
 2-OUTLET

830

340

494