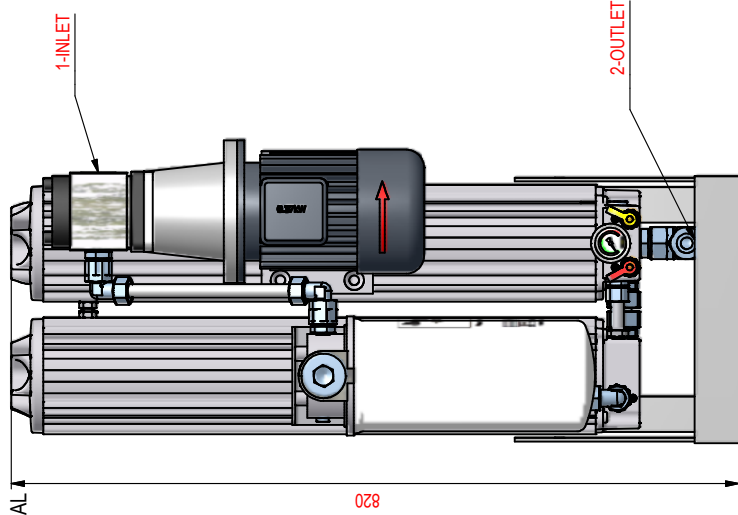
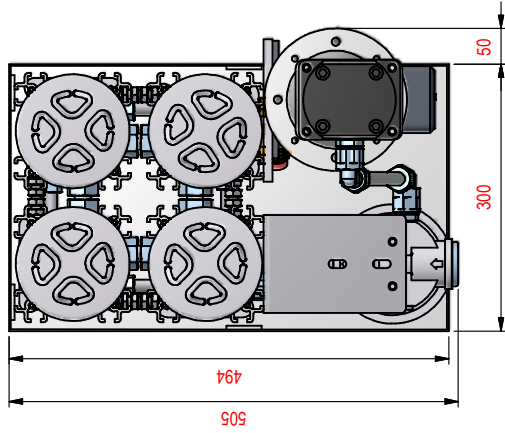
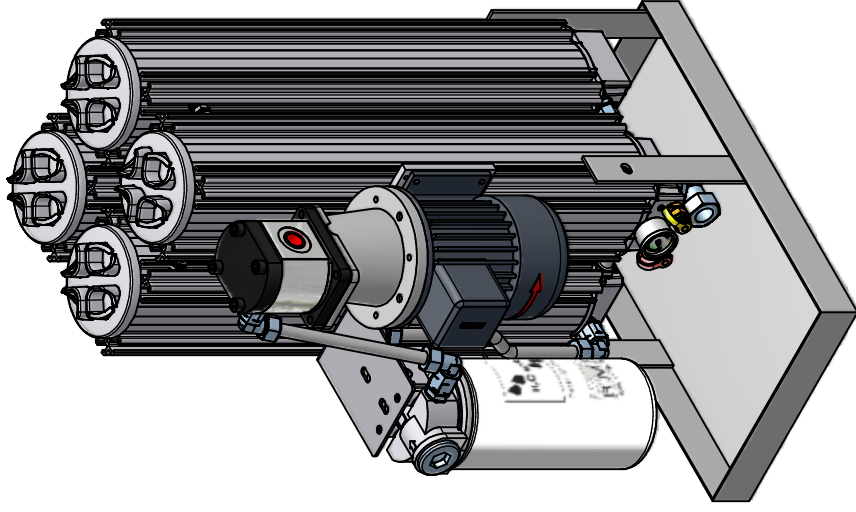


700MM

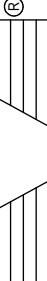

MINIMUM CLEARANCE
FOR ELEMENT REMOVAL



MODEL (1 : 6)



2	1	OUTLET	EW 18L	Male	
1	1	INLET	G3/4" - BSP	Female	
Pos	Qty	Description	Size	Material	Remarks


 S Y S T E M S
 Website : WWW.RMFFILTER.COM
 Designed by M.W.
 Designed date 20-11-2008
 Design state WorkInProgress
 Checked by
 Checked date
 PROJECTION


DOCUMENT TITLE
 RMF OLUW4B30HB0400A
 RMF - OFF LINE FILTERS WITH H2O SORB
 ARTICLE NUMBER
 9317677
 DRAWING NUMBER
 A3--9-294-12272
 DIMENSIONAL TOLERANCE ACCORDING
 TO ISO 2768H / NEN 2285
 SCALE : 1:1

Revision	Date	Description	Name
ARTICLE NUMBER		DRAWING NUMBER	REVISION
9317677		A3--9-294-12272	